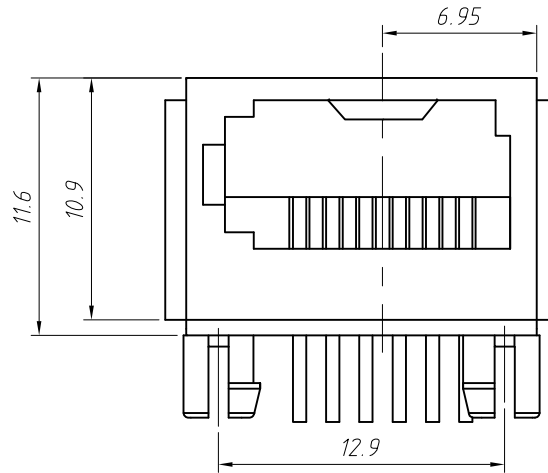
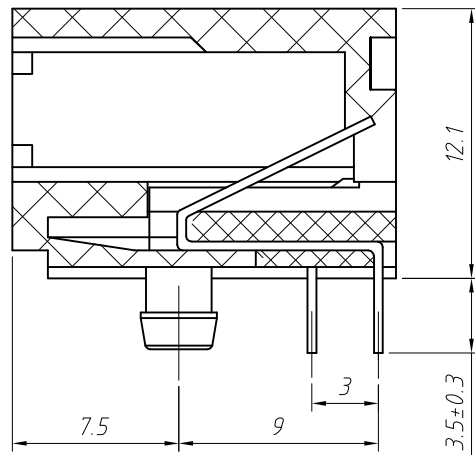


PCB Layout

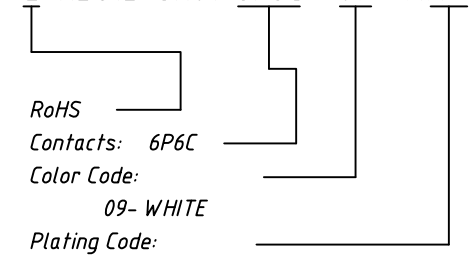


Material:
Housing: PBT+Glass Filled Polyester
Flammability Rating: UL94V-0
Contacts: Phosphor Bronze $\phi 0.46\text{mm}$
Plating: Gold Plating

Electrical:
Voltage Rating: 125VAC
Current Rating: 1.5A
Contact Resistance: 30m Ω Max.
Insulation Resistance: 500M Ω Min.
Dielectric Strength: 1000VAC Rms 50Hz, 1 Min.
Durability: 600 cycles Min.
Operation Temperature: -40°C ~ +70°C

Order Information

L-KLS12-UK01-6P6C - 09 - XX



Plating Code:
 01-Fu" Gold Plating
 02-3u" Gold Plating
 03-6u" Gold Plating
 04-15u" Gold Plating
 05-30u" Gold Plating

GENERAL TOLERANCE	PROJECTION		Description:
X. ± 0.30	UNITS	mm	Modular jacks, UK-6P6C Jack
.X ± 0.25	SCALE	1:1	
.XX ± 0.20	Draw by:	Jenny	KLS P/N: L-KLS12-UK01-6P6C-09-xx
ANGLE TOLERANCE	Check by:	Daniel	NingBo KLS ELECTRONIC CO.,LTD.
X. $\pm 3^\circ$	Date	2018-03-01	
.X $\pm 2^\circ$	SHEET	1 OF 1	
.XX $\pm 1^\circ$			